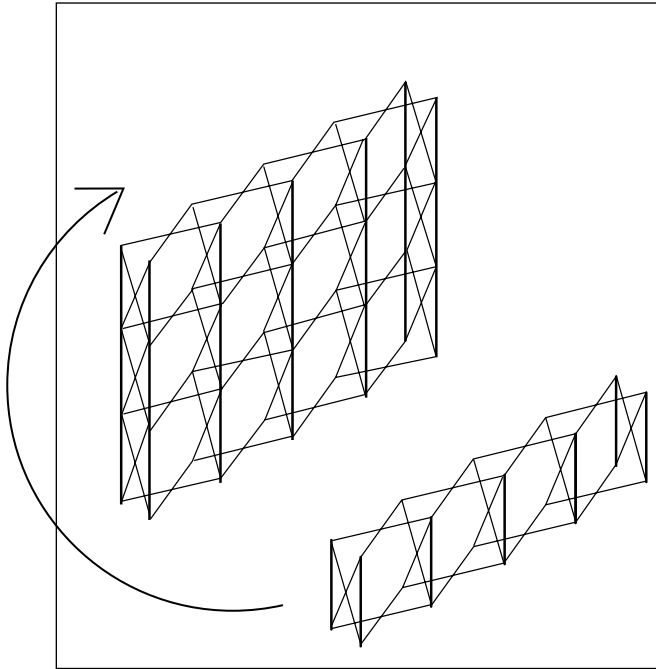


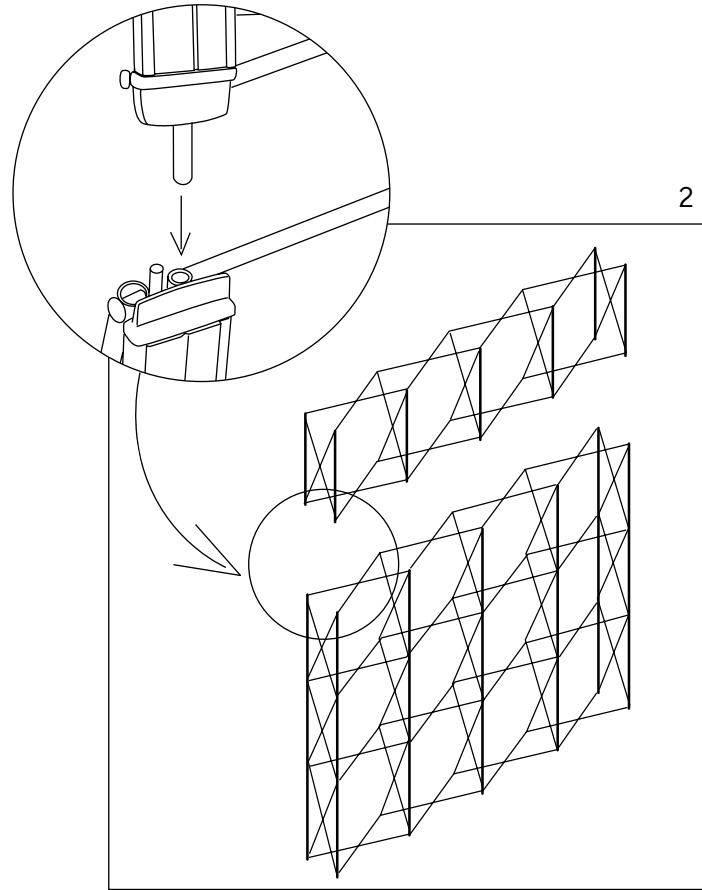
instructions

Network – Add a section

1



2



3

