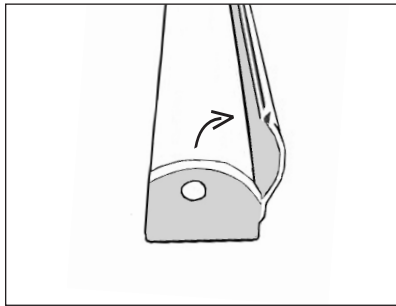


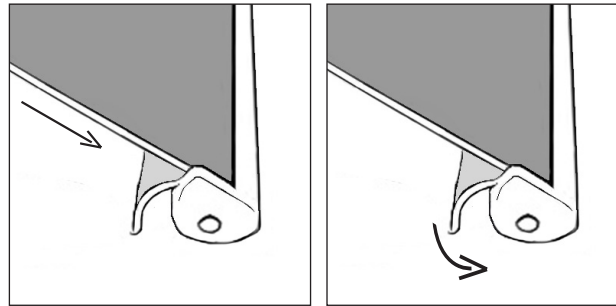
instructions

Mounting graphic guide for your new Maxibit Zap

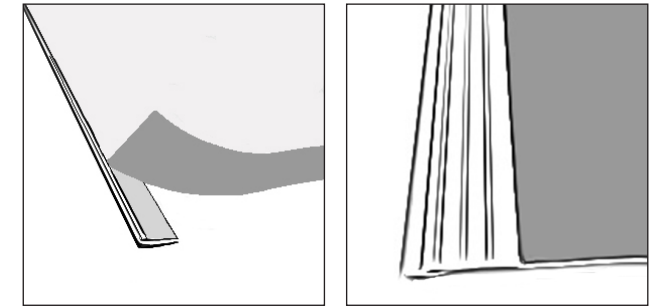
Graphic dimensions
(of which 190 mm in the cassette)
850x2400 and 1185x2400 mm



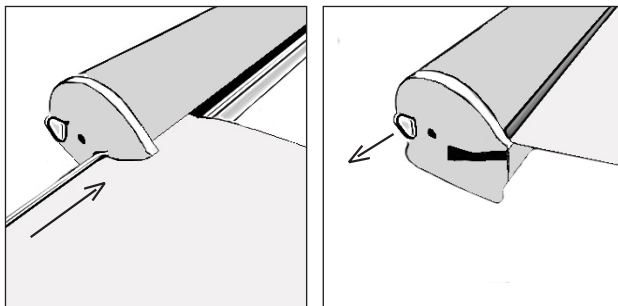
Step 1
Open the Gripper profile.



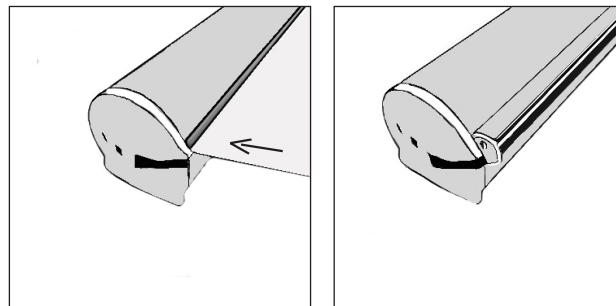
Step 2
Place the profile on the table. Insert the top of the graphic (front side up) into the profile. Make sure the graphic is pushed in as far as it can go (*). Snap the profile shut.



Step 3
Mount the D-profile to the bottom of the graphic. The profile should be applied to the front of the graphic.



Step 4
Insert the D-profile (back side up) fully into the groove in the roll mechanism and then pull out the locking pin.



Step 5
Allow the graphic to roll all the way in, in one controlled and steady motion. Ready!

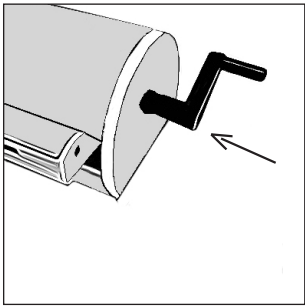
(* If your graphic panel is thin or printed on fabric, apply a strip of masking tape along the top of the graphic on the backside. The masking tape will help controlling the inserting of the graphic and keeping it steady and aligned.



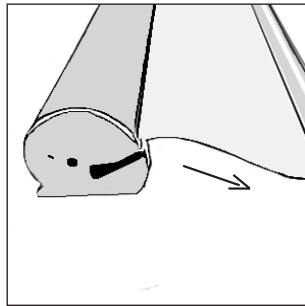
instructions

Two ways of changing your graphic in a Maxibit Zap

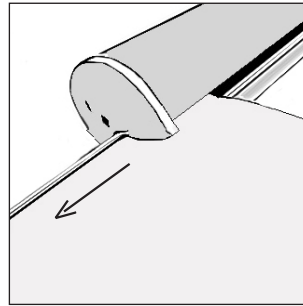
Graphic dimensions
(of which 190 mm in the cassette)
850x2400 and 1185x2400 mm



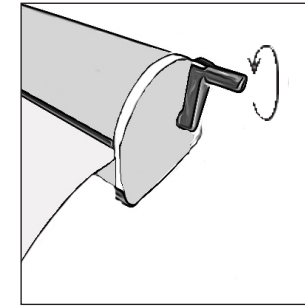
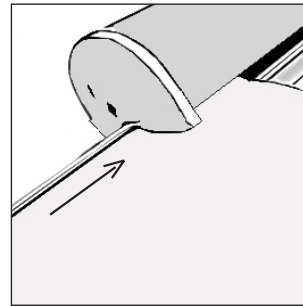
Step 1
Insert the thick side of the crank to loosen the string.



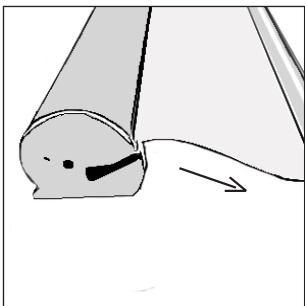
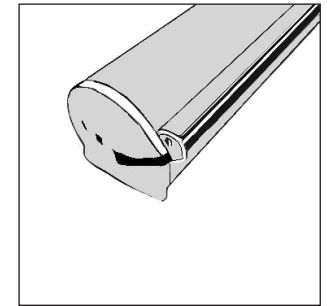
Step 2
Pull out the entire graphic from the Zap.



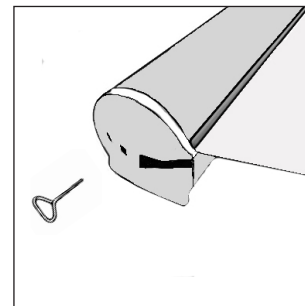
Step 3
Pull out the D-profile from the side of the Zap to change graphic. And then insert the new graphic fully into the groove in the roll mechanism.



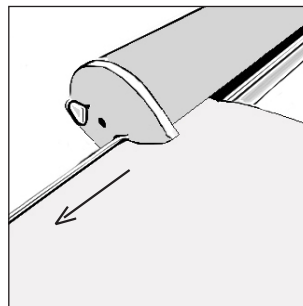
Step 4
Insert the thin side of the crank on the right side of the Zap. Wind the crank 20 laps (counter clockwise) and allow the graphic to roll all the way in.



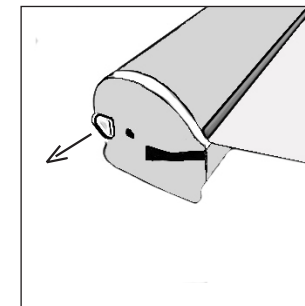
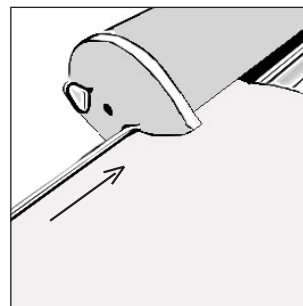
Step 1
Pull out the entire graphic from the Zap.



Step 2
Insert the locking pin to block the cassette.



Step 3
Pull out the D-profile from the side of the Zap to change graphic. And then insert the new graphic fully into the groove in the roll mechanism.



Step 4
Pull out the locking pin and then allow the graphic to roll all the way in, in one controlled and steady motion. Ready!

