

Strengthen your brand with Zap D2 and Zap D3



Specifications: Zap

VERSIONS
Zap D2 (850), Zap D2 (1185)
Zap D3 (850), Zap D3 (1185)

DESCRIPTION
Aluminum alloy Roll-up with telescopic pole, Gripper profile and fast, cassette-loading graphics. Flight Bag with pocket for spotlight.

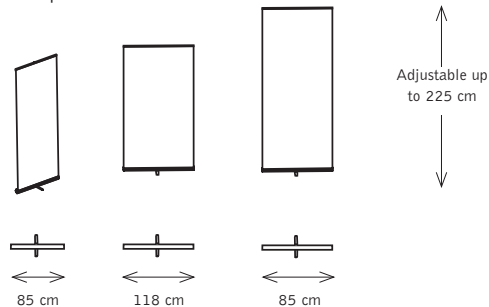
GRAPHIC MATERIAL
All common materials, e.g. polyester.

WIDTH
850 mm and 1185 mm.

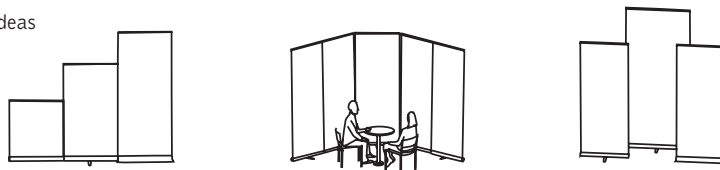
HEIGHT
Standard 2250 mm (adjustable, 900–3000 mm).

WEIGHT
Approx. 4 kg with graphics and flight bag.

Footprints



Ideas



What's your best choice of roll-up?

There is a significant difference between Zap and other roll-ups. With Zap D2 and D3, you can be assured that your message is delivered with the strongest impact and the highest quality. Zap comes in two designs. D2 is the most compact while D3 has no visible, protruding foot on the floor. Zap is 100% recyclable for a better environment. With Zap D2 and D3 you will always be prepared – meet your customer whenever, wherever. When it's time for your next campaign, you can change your message in less than a minute without the need for tools.

Why should I choose Zap

- Clever Gripper profile
- Fast and easy graphics exchange
- Adjustable with a quality Swedish design
- 2 designs and 2 widths; 4 versions
- Generous graphic dimensions
- Adjustable height, 900–3000 mm
- Drop-in pole cup for easy set-up
- Excellent for the environment; re-usable and recyclable
- Accessories: Spotlight, brochure holder, presentation desk

Website



YouTube setup manual



Maxibit has been a member of UN Global Compact since 2007, www.unglobalcompact.com.



www.maxibit.com